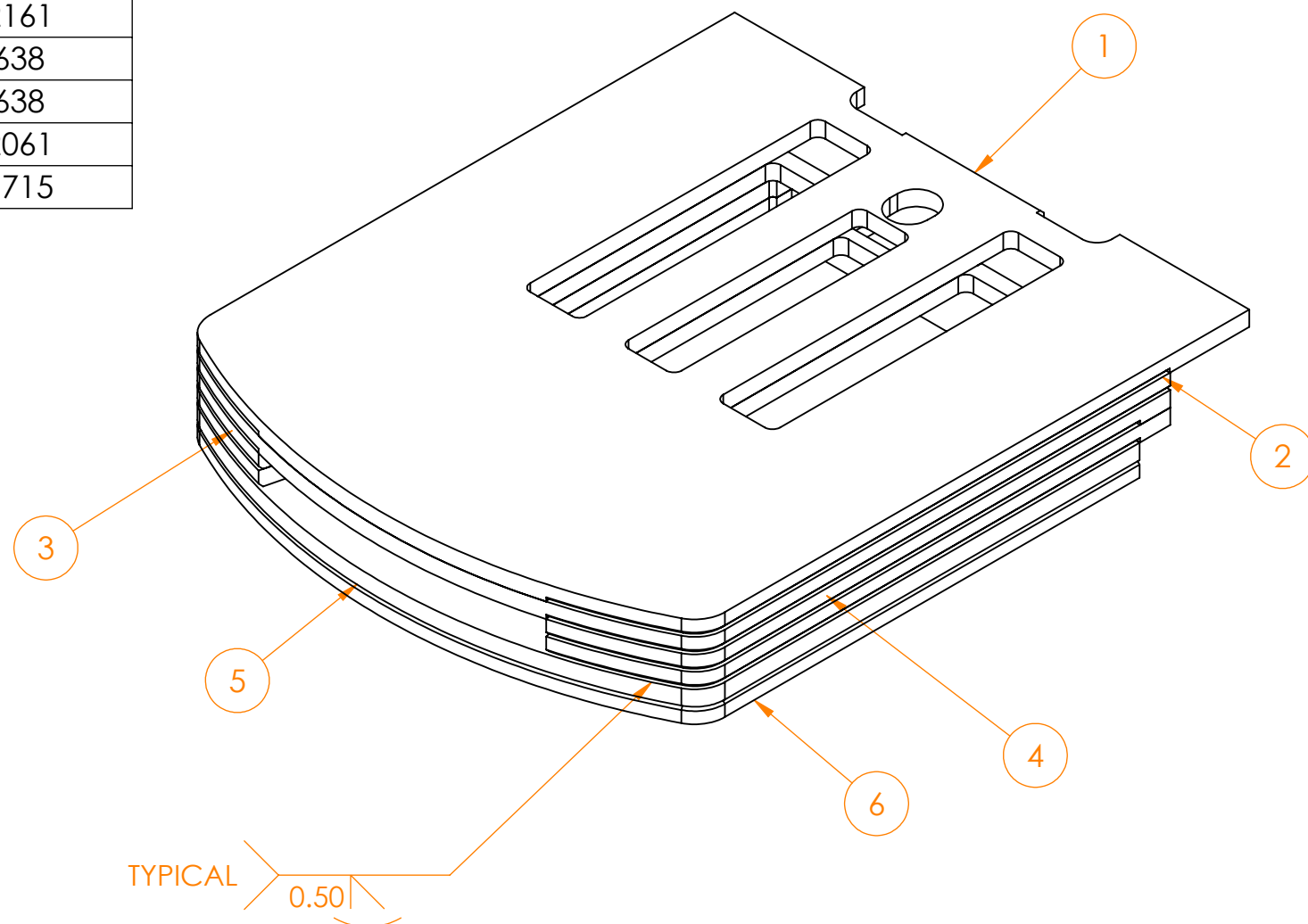
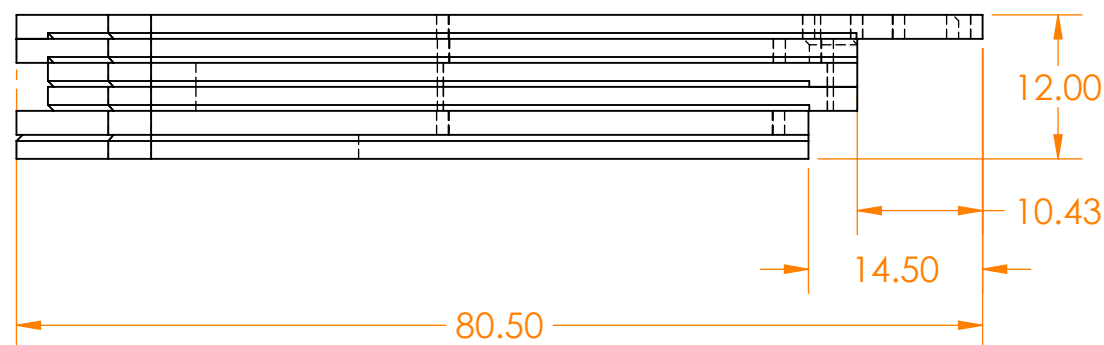
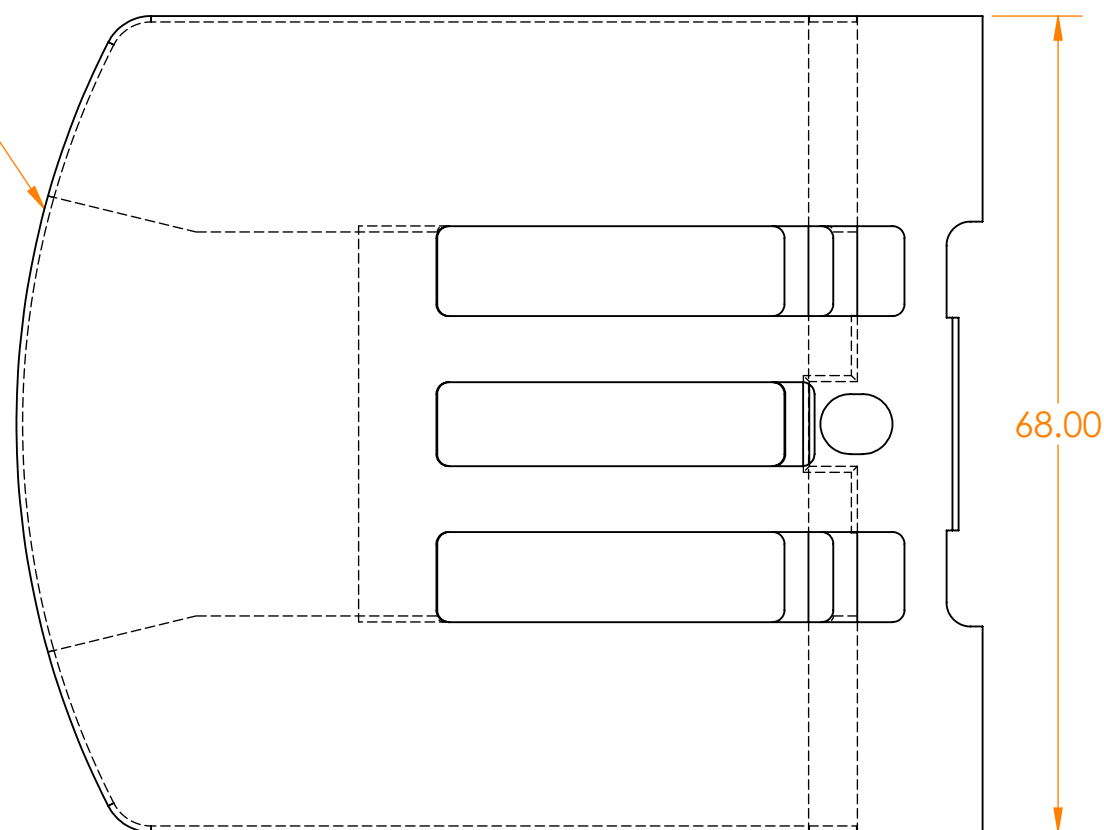


ITEM NO.	QTY.	PART NUMBER	DESCRIPTION	MATERIAL	STOCK SIZE	WEIGHT [LBS]
1	1	P58-RBP-01 Rev B - Plate 2	PLATE 2	MILD STEEL	2.00 x 68.00 x 80.50	2456
2	1	P58-RBP-01 Rev B - Plate 3	PLATE 3	MILD STEEL	2.00 x 67.44 x 68.00	2161
3	2	P58-RBP-01 Rev B - Plate 4A	PLATE 4A	MILD STEEL	2.00 x 18.00 x 67.44	638
4	2	P58-RBP-01 Rev B - Plate 4B	PLATE 4B	MILD STEEL	2.00 x 18.00 x 67.44	638
5	1	P58-RBP-01 Rev B - Plate 5	PLATE 5	MILD STEEL	4.00 x 66.00 x 68.00	2061
6	1	P58-RBP-01 Rev B - Plate 6	PLATE 6	MILD STEEL	4.00 x 66.00 x 68.00	1715

RADIUS OF PLATES
CONCENTRIC ABOUT
THIS END



NOTES:

- ALL DIMENSIONS ARE IN INCHES
- ESTIMATED WEIGHT: 10,980 LBS

REV	B	ECO	58-02
DATE	04/09/2016		
ENG.	RR	DR.	AEP
REVISED DESIGN			
REV	A	ECO	58-01
DATE	11/27/2015		
ENG.	RR	DR.	AEP
RELEASE ECO			

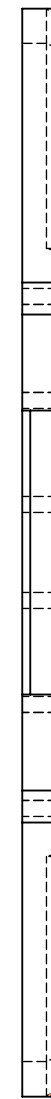
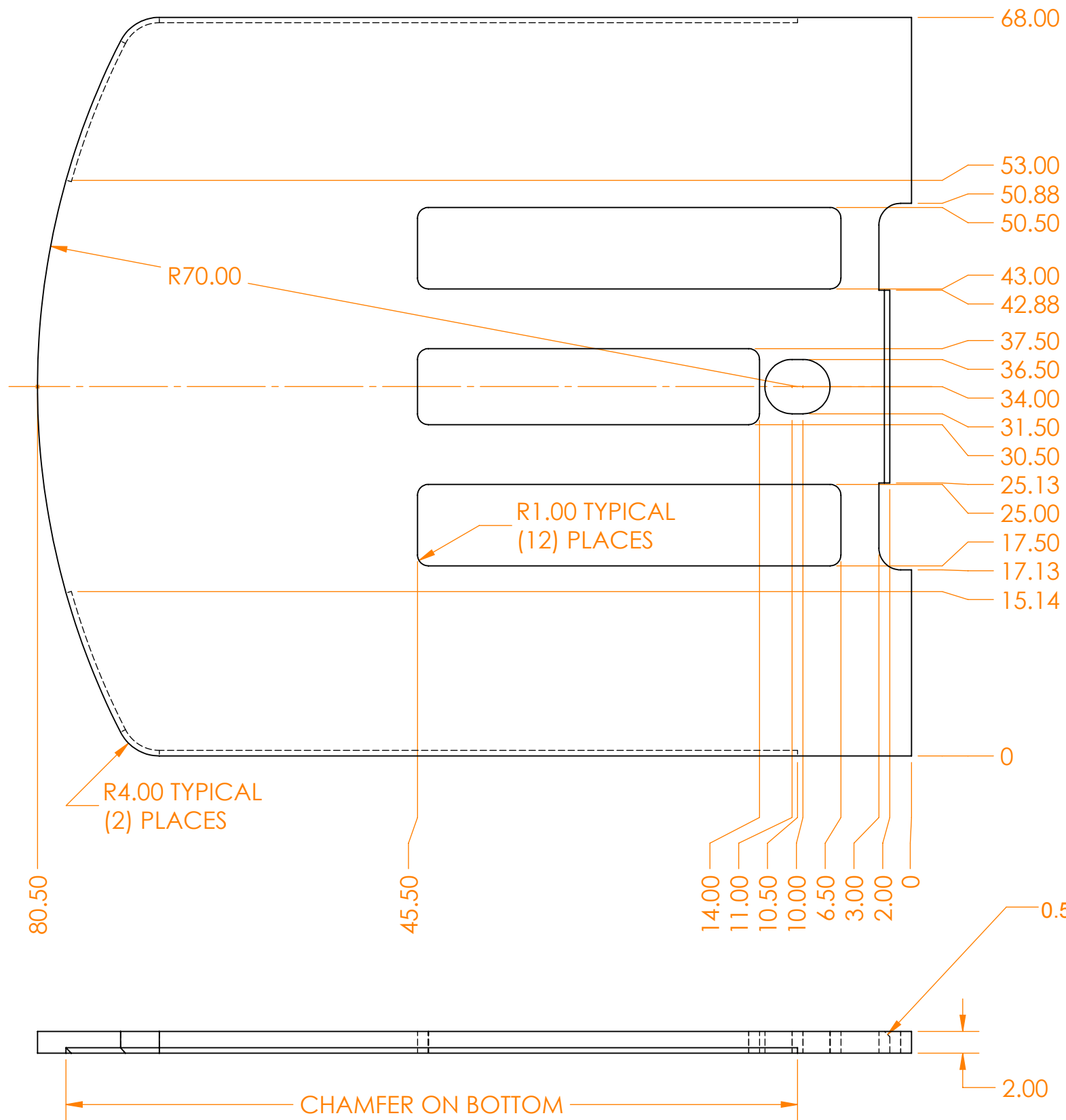
COPYRIGHT 2015 BY
YOUNGSTOWN STEEL HERITAGE FOUNDATION

Youngstown Steel
HERITAGE FOUNDATION

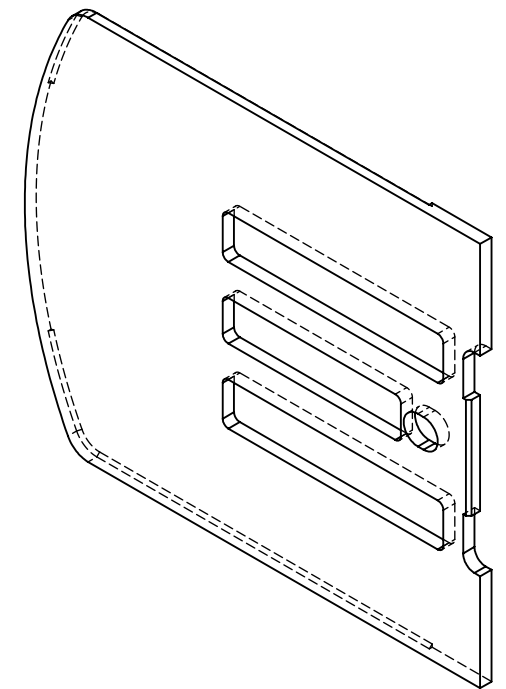
THIS DOCUMENT CONTAINS INFORMATION THAT IS PROPRIETARY TO YOUNGSTOWN STEEL HERITAGE FOUNDATION AND CANNOT BE COPIED OR USED WITHOUT WRITTEN PERMISSION.

PLATE WELDMENT FOR
PORTER 58 END BUMPER

DR.	AEP	DATE	11/23/2015	SCALE:	1:16	SHEET	1	OF	6
CHK.		ENG.	RR	PLANT CODE		DRAWING NUMBER		REV	
QA.		MFG.		SC		P58-RBP-01		B	



0.50 X 45° CHAMFER TYPICAL ON BOTTOM OF PLATE



ISOMETRIC VIEW SHOWN FOR REFERENCE ONLY
SCALE: 1=24

REV	B	ECO	58-02
DATE	04/09/2016		
ENG.	RR	DR.	AEP
REVISED DESIGN			
REV	A	ECO	58-01
DATE	11/27/2015		
ENG.	RR	DR.	AEP
RELEASE ECO			

COPYRIGHT 2015 BY
YOUNGSTOWN STEEL HERITAGE FOUNDATION

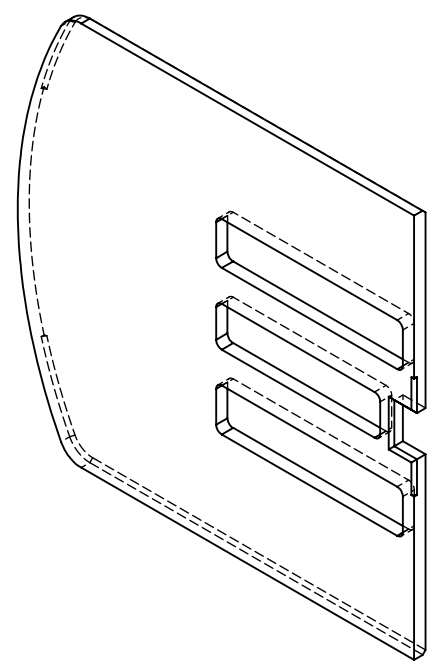
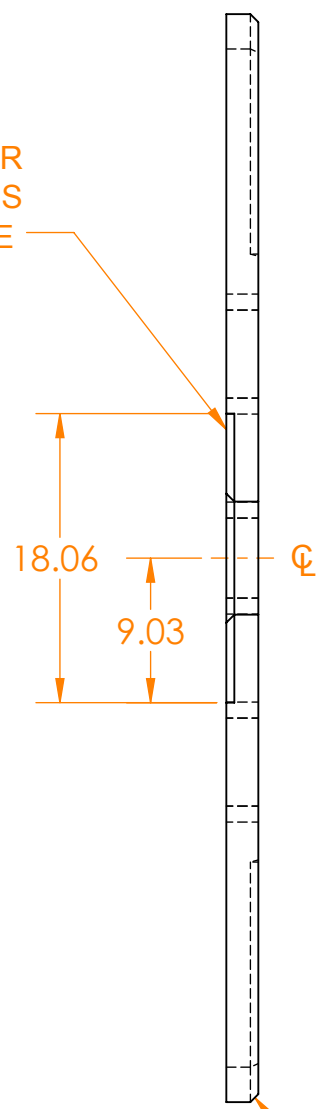
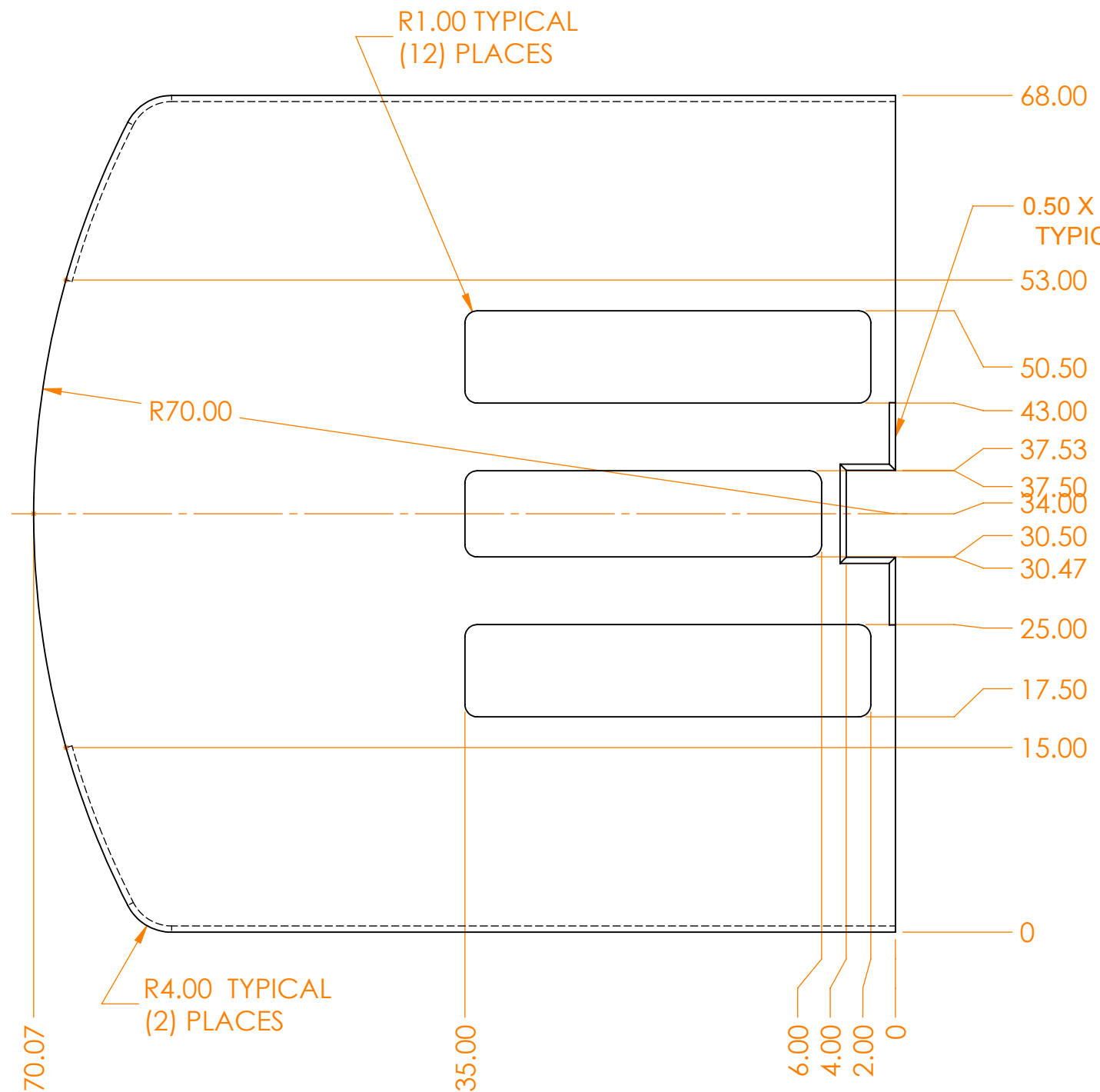
Youngstown Steel
HERITAGE FOUNDATION

THIS DOCUMENT CONTAINS INFORMATION THAT IS PROPRIETARY TO YOUNGSTOWN STEEL HERITAGE FOUNDATION AND CANNOT BE COPIED OR USED WITHOUT WRITTEN PERMISSION.

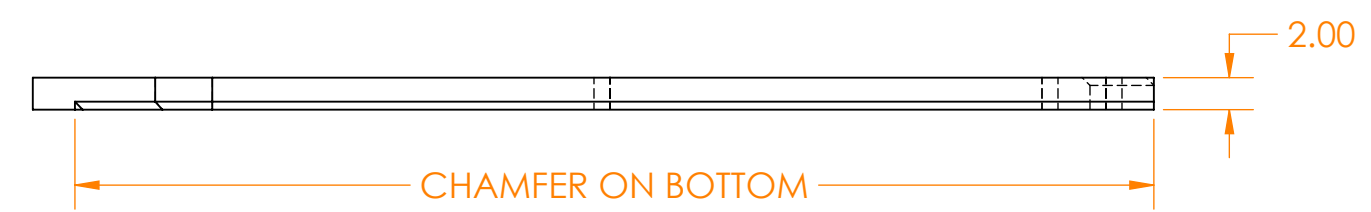
PLATE WELDMENT FOR
PORTER 58 END BUMPER

DR.	AEP	DATE	11/23/2015	SCALE:	1:12	SHEET	2	OF	6
CHK.		ENG.	RR	PLANT CODE	SC	DRAWING NUMBER	P58-RBP-01	REV	B
QA.		MFG.							

ITEM 1 - PLATE 2



ISOMETRIC VIEW SHOWN FOR REFERENCE ONLY
SCALE: 1=24



ITEM 2 - PLATE 3

REV	B	ECO	58-02
DATE	04/09/2016		
ENG.	RR	DR.	AEP
REVISED DESIGN			
REV	A	ECO	58-01
DATE	11/27/2015		
ENG.	RR	DR.	AEP
RELEASE ECO			

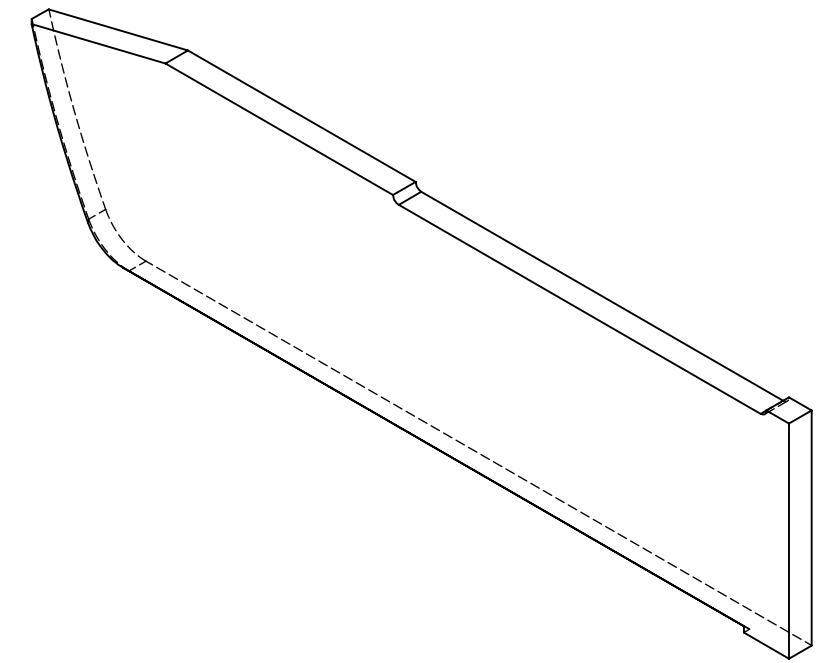
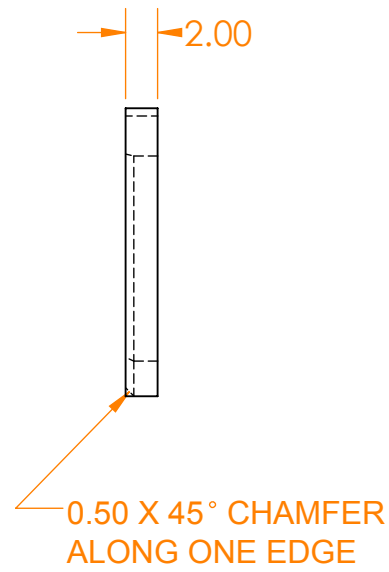
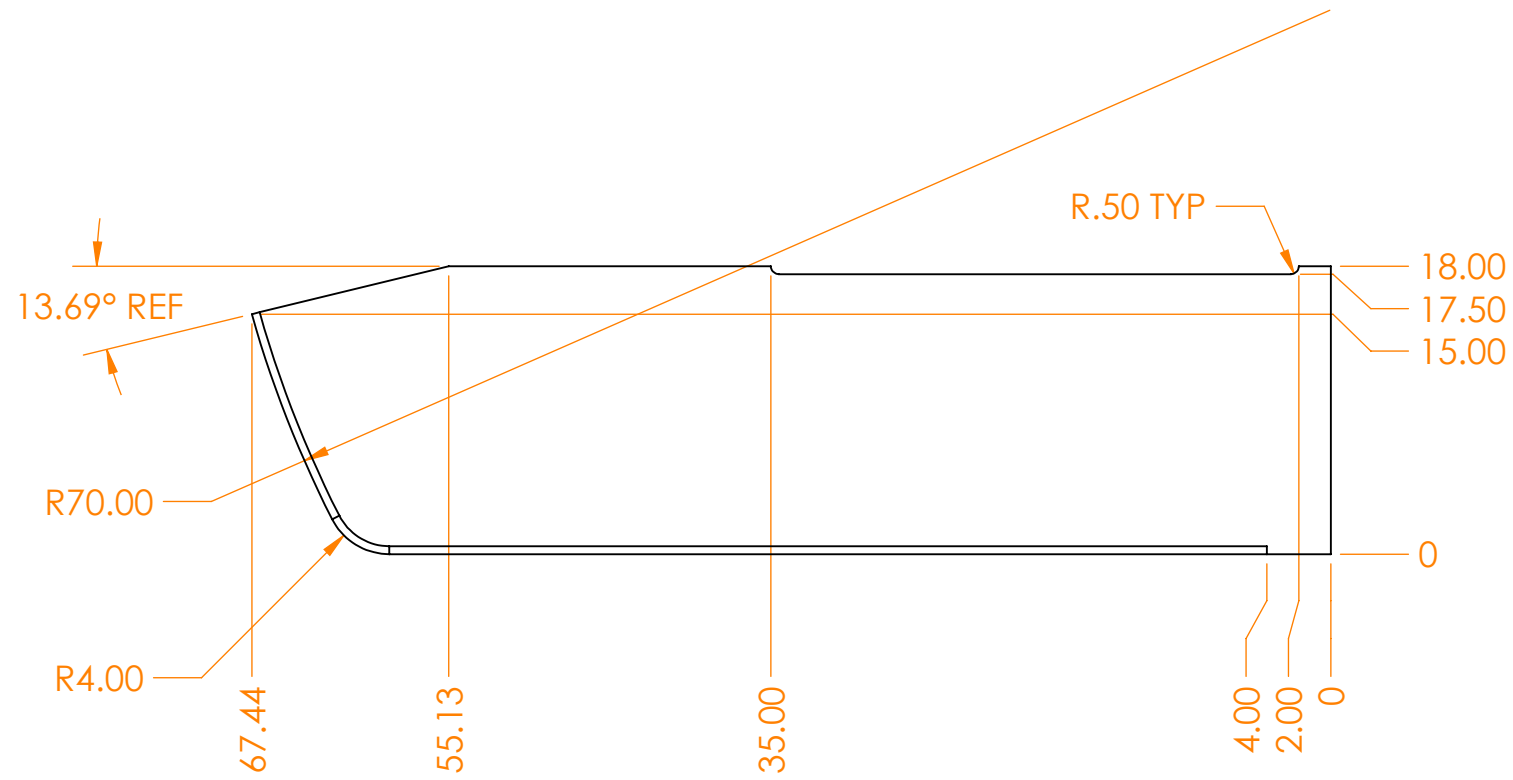
COPYRIGHT 2015 BY
YOUNGSTOWN STEEL HERITAGE FOUNDATION

Youngstown Steel
HERITAGE FOUNDATION

THIS DOCUMENT CONTAINS INFORMATION THAT IS PROPRIETARY TO YOUNGSTOWN STEEL HERITAGE FOUNDATION AND CANNOT BE COPIED OR USED WITHOUT WRITTEN PERMISSION.

**PLATE WELDMENT FOR
PORTER 58 END BUMPER**

DR.	AEP	DATE	11/23/2015	SCALE:	1:12	SHEET	3	OF	6
CHK.		ENG.	RR	PLANT CODE	SC	DRAWING NUMBER	P58-RBP-01	REV	B
QA.		MFG.							



ISOMETRIC VIEW SHOWN FOR REFERENCE ONLY

ITEM 3 - PLATE 4A (AS SHOWN)
ITEM 4 - PLATE 4B (OPPOSITE HAND)

REV	B	ECO	58-02
DATE	04/09/2016		
ENG.	RR	DR.	AEP
REVISED DESIGN			
REV	A	ECO	58-01
DATE	11/27/2015		
ENG.	RR	DR.	AEP
RELEASE	ECO		

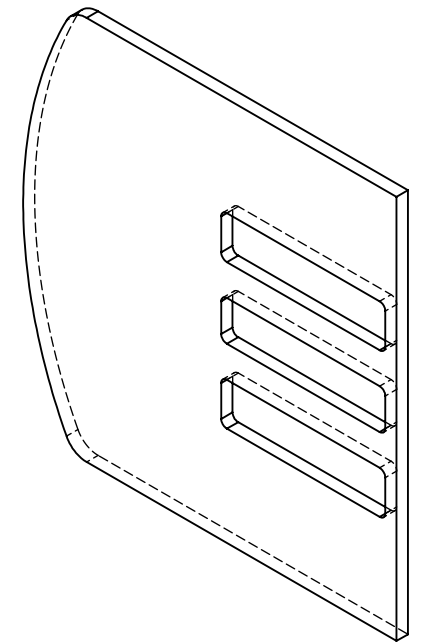
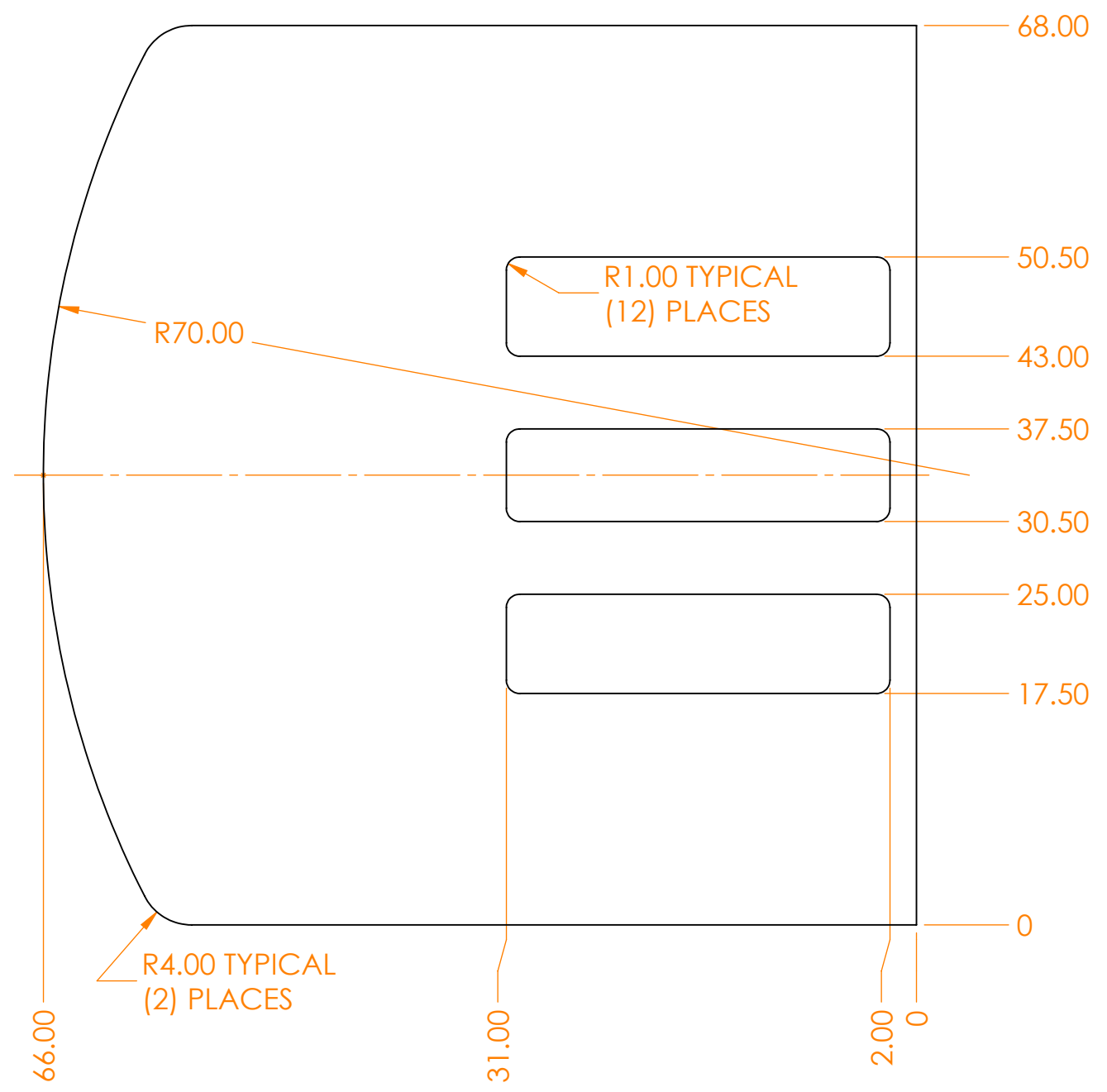
COPYRIGHT 2015 BY
 YOUNGSTOWN STEEL HERITAGE FOUNDATION

Youngstown Steel
 HERITAGE FOUNDATION

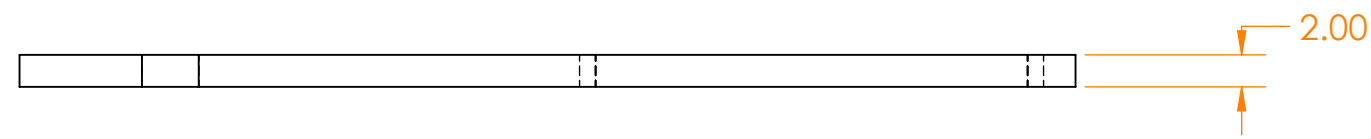
THIS DOCUMENT CONTAINS INFORMATION THAT IS PROPRIETARY TO YOUNGSTOWN STEEL HERITAGE FOUNDATION AND CANNOT BE COPIED OR USED WITHOUT WRITTEN PERMISSION.

PLATE WELDMENT FOR
 PORTER 58 END BUMPER

DR.	AEP	DATE	11/23/2015	SCALE:	1:12	SHEET	4	OF	6
CHK.		ENG.	RR	PLANT CODE	SC	DRAWING NUMBER	P58-RBP-01	REV	B
QA.		MFG.							



ISOMETRIC VIEW SHOWN FOR REFERENCE ONLY
SCALE: 1=24



ITEM 5 - PLATE 5

REV	B	ECO	58-02
DATE	04/09/2016		
ENG.	RR	DR.	AEP
REVISED DESIGN			
REV	A	ECO	58-01
DATE	11/27/2015		
ENG.	RR	DR.	AEP
RELEASE ECO			

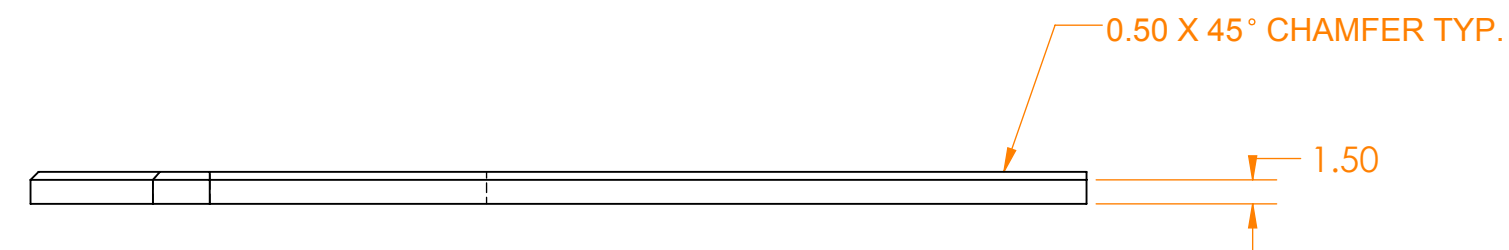
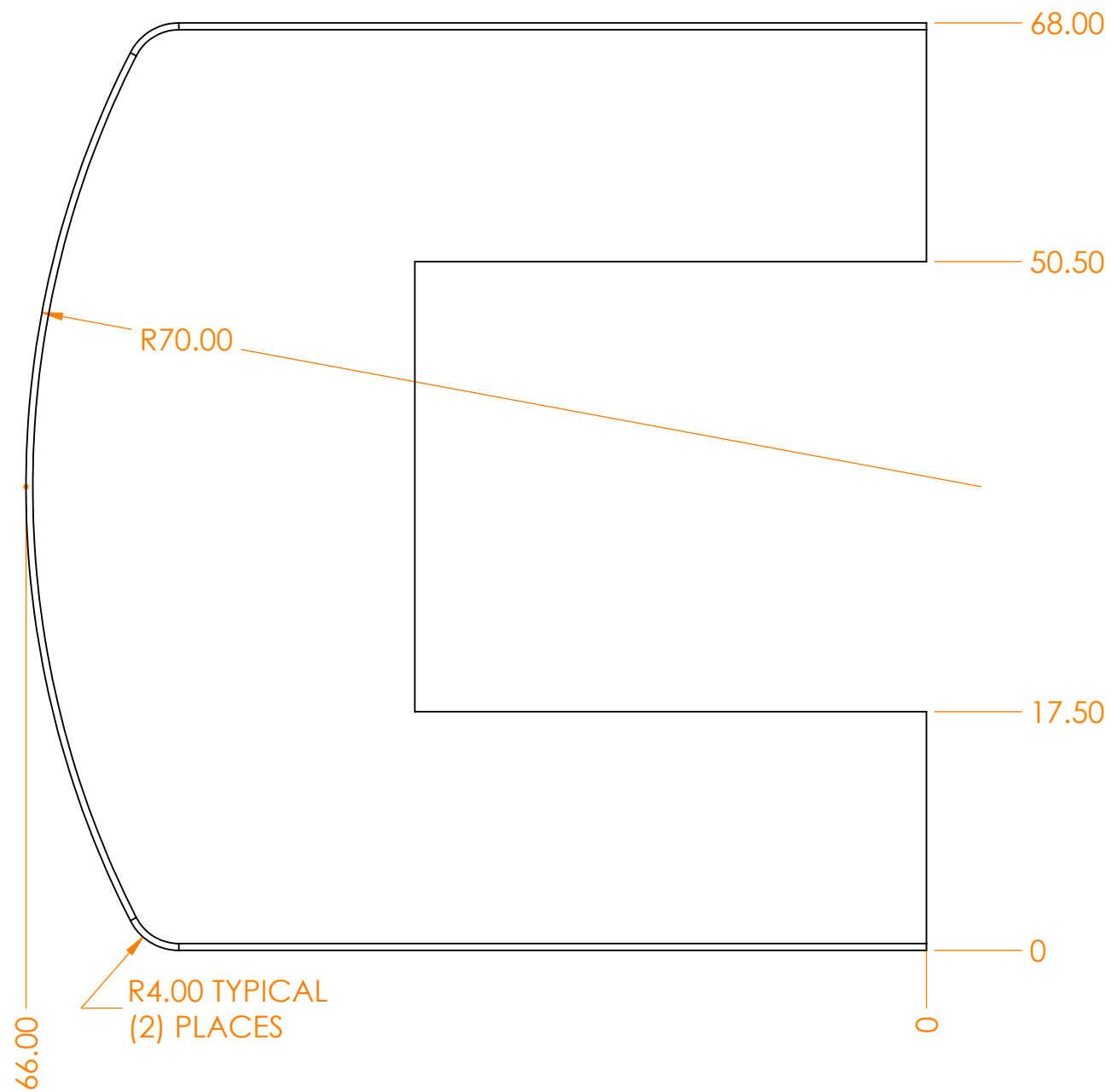
COPYRIGHT 2015 BY
YOUNGSTOWN STEEL HERITAGE FOUNDATION



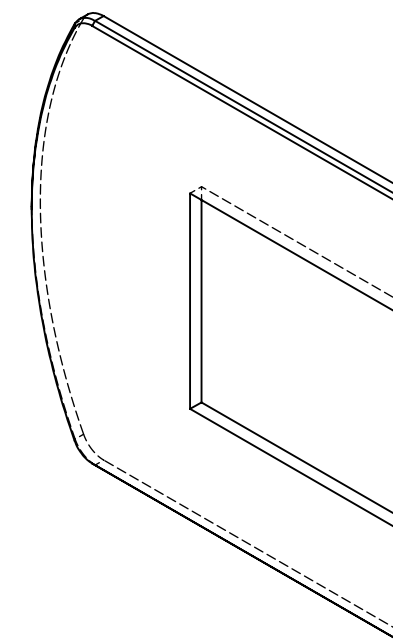
THIS DOCUMENT CONTAINS INFORMATION THAT IS PROPRIETARY TO YOUNGSTOWN STEEL HERITAGE FOUNDATION AND CANNOT BE COPIED OR USED WITHOUT WRITTEN PERMISSION.

**PLATE WELDMENT FOR
PORTER 58 END BUMPER**

DR.	AEP	DATE	11/23/2015	SCALE:	1:12	SHEET	5	OF	6
CHK.	ENG.	RR	PLANT CODE	DRAWING NUMBER		REV			
QA.	MFG.		SC	P58-RBP-01		B			



ITEM 6 - PLATE 6



ISOMETRIC VIEW SHOWN
FOR REFERENCE ONLY
SCALE: 1=24

REV	B	ECO	58-02
DATE	04/09/2016		
ENG.	RR	DR.	AEP
REVISED DESIGN			
REV	A	ECO	58-01
DATE	11/27/2015		
ENG.	RR	DR.	AEP
RELEASE ECO			

COPYRIGHT 2015 BY
YOUNGSTOWN STEEL HERITAGE FOUNDATION

Youngstown Steel
HERITAGE FOUNDATION

THIS DOCUMENT CONTAINS INFORMATION THAT IS PROPRIETARY TO YOUNGSTOWN STEEL HERITAGE FOUNDATION AND CANNOT BE COPIED OR USED WITHOUT WRITTEN PERMISSION.

PLATE WELDMENT FOR
PORTER 58 END BUMPER

DR.	AEP	DATE	11/23/2015	SCALE:	1:12	SHEET	6	OF	6
CHK.	ENG.	RR	PLANT CODE	DRAWING NUMBER		REV			
QA.	MFG.		SC	P58-RBP-01		B			